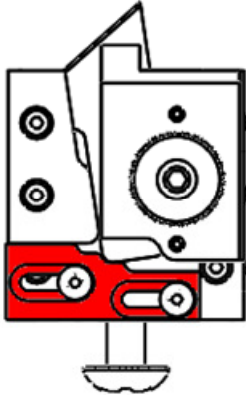


Eclipse PRO/XL/LT Blade Depth Settings

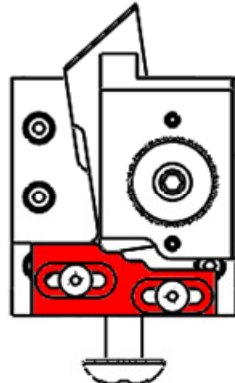
4-ply

6-ply

8-ply



Left for 4-ply



Center for 6-ply



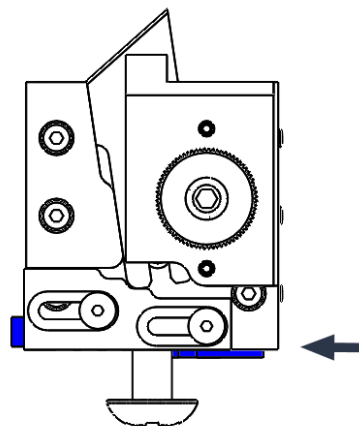
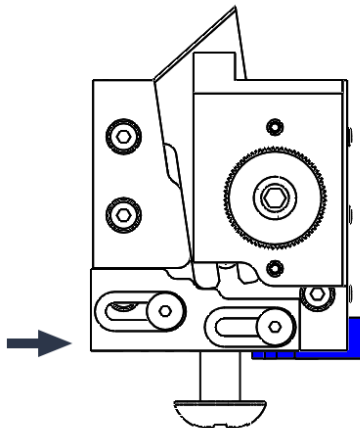
Right for 8-ply

DO NOT Adjust the Silver Philips Head Screw just move the RED Blade Depth Adjuster.

Eclipse PRO/XL Closed V-Groove Settings

Cut Through

V-Groove



PUSH Blue V-Groove Switch LEFT to cut through & RIGHT for cut closed v-groove.